

PB1575



The 1575 is an extremely compact Spider Lift for the most difficult applications. The track system expands out to 1060 mm for extra stability and stands taller for extra ground clearance.

It also reduces to only 780 mm wide and lowers to 1909 mm height for very narrow access.

The basket quickly and simply detaches with only one pin for accessing very tight locations. The basket can then easily be rolled along by one person on its own castor wheels.

Uniquely, the clever shape of the stabilisers provide a huge amount of travel for setting up on very uneven terrain. And with dual power sources the 1575 is just as at home indoors or outdoors!

Far left: Spider Lift country! Narrow paths and difficult slopes.

Above middle: Compact stowed dimensions for ease of maneuvering in difficult areas.

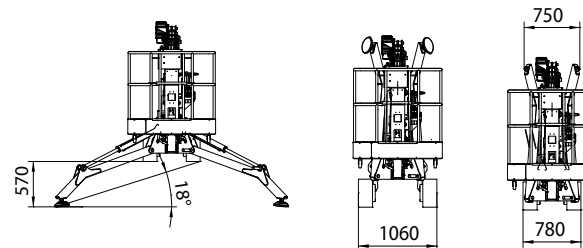
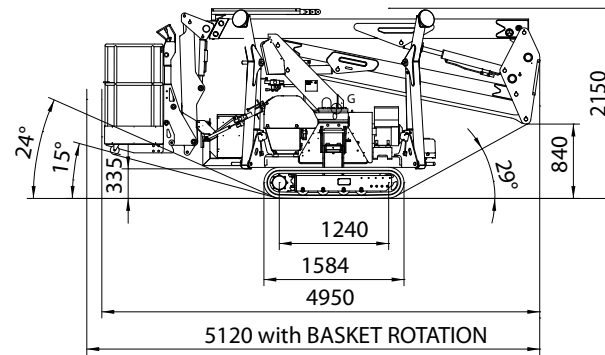
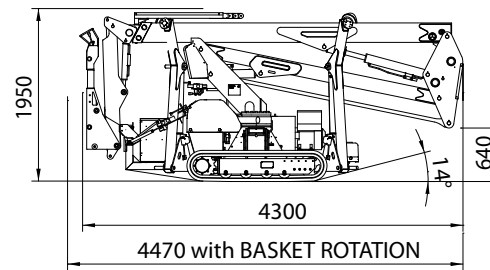
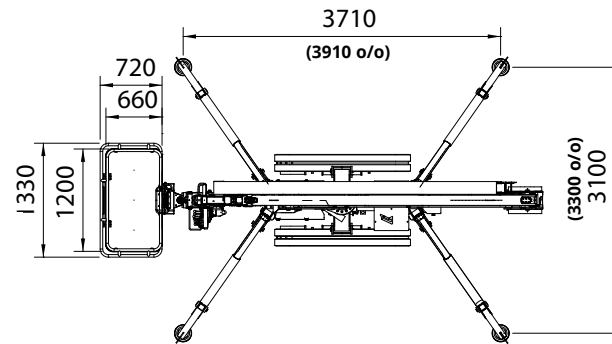
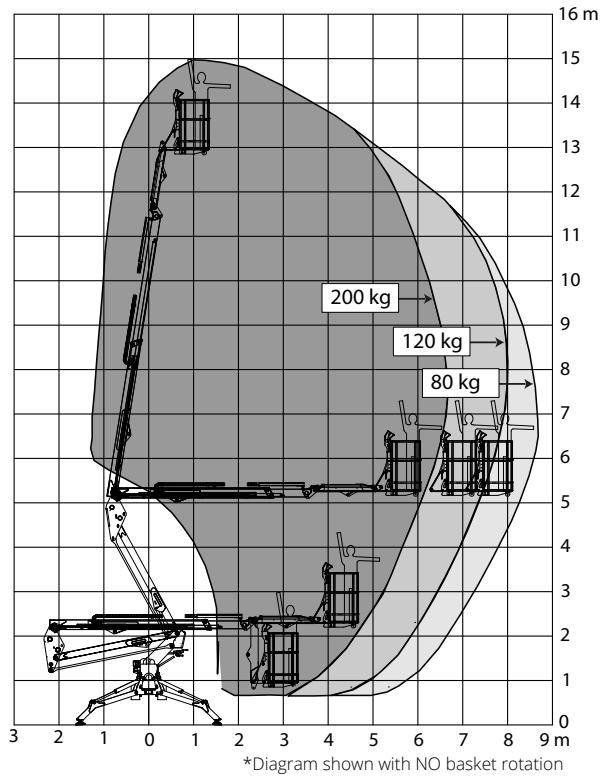
Above right: Amazing up-and-over reach from such compact dimensions.

Opposite Page: Easy to tow with a total weight of approx. 2.5 t. (Options of steel or alloy trailers.)

PB1575

Max working height	15.00 m
Max working height in narrow set	N/A
Max horizontal outreach	8.50 m
Max SWL	200 kg
Weight: Engine + 240V	2060 kg (2140 kg Pro)
: Engine + Batteries	2220 kg (2300 kg Pro)
Turret rotation	360°
Basket rotation	Optional (Std on Pro)
Ground pressure driving (approx)	38.5 kN/m ²
Max stabiliser force	14.1 kN
Max stabiliser pressure (std foot pad)	446 kN/m ²
Traffic load (live load) travelling	3.1 kN/m ²
Traffic load (live load) stabilised wide	1.9 kN/m ²
Traffic load (live load) stabilised narrow	N/A
Auto levelling	Optional (Std on Pro)
Max slope for stabilisers (no extra pads)	18°
Gradeability lengthwise	24°
Gradeability sideways	15°
Standard power source	Honda 13 Hp Petrol
Optional power source	Kubota 14 Hp Diesel (Std on Pro)
Dual power options	240V Electric or Batteries
Expanding tracks	Std
Drive Speed	1.5 km/h (2.5 km/h Pro)
Radio control	Optional (Std on Pro)
Electric emergency lowering	Optional

(All specs E&OE and subject to change)



SEE THE 1575
IN ACTION

