

# S3006P/S3008P/S3010P

## PUSH-AROUND MINI SCISSOR LIFTS



- Lightweight and compact
- Easily passes through a standard doorway
- No outriggers or stabilisers required
- Durable design for tough site conditions
- Proven benefits over other low level access products

 **snorkel**<sup>™</sup>  
[www.snorkellifts.com](http://www.snorkellifts.com)

# PUSH-AROUND MINI SCISSOR LIFTS

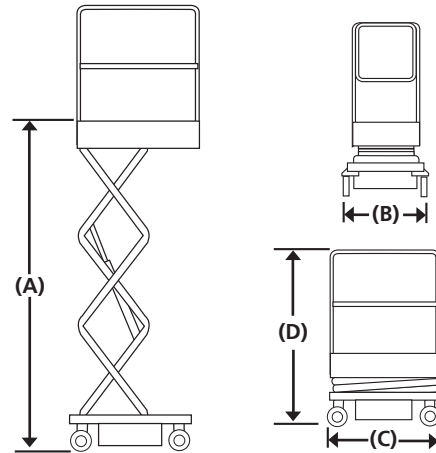
# S3006P S3008P/S3010P

| DIMENSIONS                      | S3006P       | S3008P       | S3010P       |
|---------------------------------|--------------|--------------|--------------|
| Max. working height             | 4.0m         | 4.5m         | 5.0m         |
| Max. platform height <b>(A)</b> | 2.0m         | 2.5m         | 3.0m         |
| Platform size (outside)         | 1.1m x 0.52m | 1.1m x 0.52m | 1.1m x 0.52m |
| Overall width <b>(B)</b>        | 0.75m        | 0.75m        | 0.75m        |
| Overall length <b>(C)</b>       | 1.2m         | 1.2m         | 1.2m         |
| Stowed height <b>(D)</b>        | 1.7m         | 1.8m         | 1.8m         |

| PERFORMANCE             | S3006P   | S3008P    | S3010P    |
|-------------------------|----------|-----------|-----------|
| Platform capacity (SWL) | 240kg    | 240kg     | 240kg     |
| Max. wind speed         | 0m/s     | 0m/s      | 0m/s      |
| Raise/lower time        | 8/14 sec | 13/17 sec | 19/26 sec |

| POWER        | S3006P                              | S3008P | S3010P |
|--------------|-------------------------------------|--------|--------|
| Power source | 12V DC battery                      |        |        |
| Charger      | Built in multi-voltage (90V - 240V) |        |        |

| WEIGHT | S3006P | S3008P | S3010P |
|--------|--------|--------|--------|
| Weight | 310kg  | 350kg  | 370kg  |



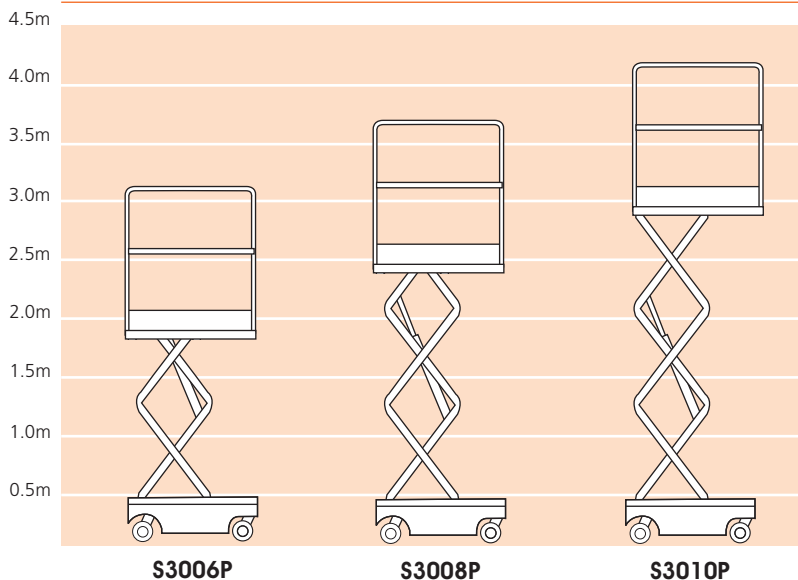
## STANDARD FEATURES

- Auto brake system
- Tilt sensor
- Saloon-door style entry gates
- Integrated battery charger 90V-240V
- Battery charge indicator
- Forklift pockets
- Emergency lowering system
- Non-marking casters
- Slide-out service trays
- 2 year parts & labour, 5 year structural warranty
- CE approved

## OPTIONS

- Special paint colours
- Environmental hydraulic oil
- Snorkel OnSite™ telematics

## PLATFORM HEIGHTS



**snorkel** [www.snorkellifts.com](http://www.snorkellifts.com)

Vigo Centre, Birtley Road,  
Washington, Tyne & Wear,  
NE38 9DA, U.K.

t: +44 (0) 845 1550 057  
e: sales.emea@snorkellifts.com